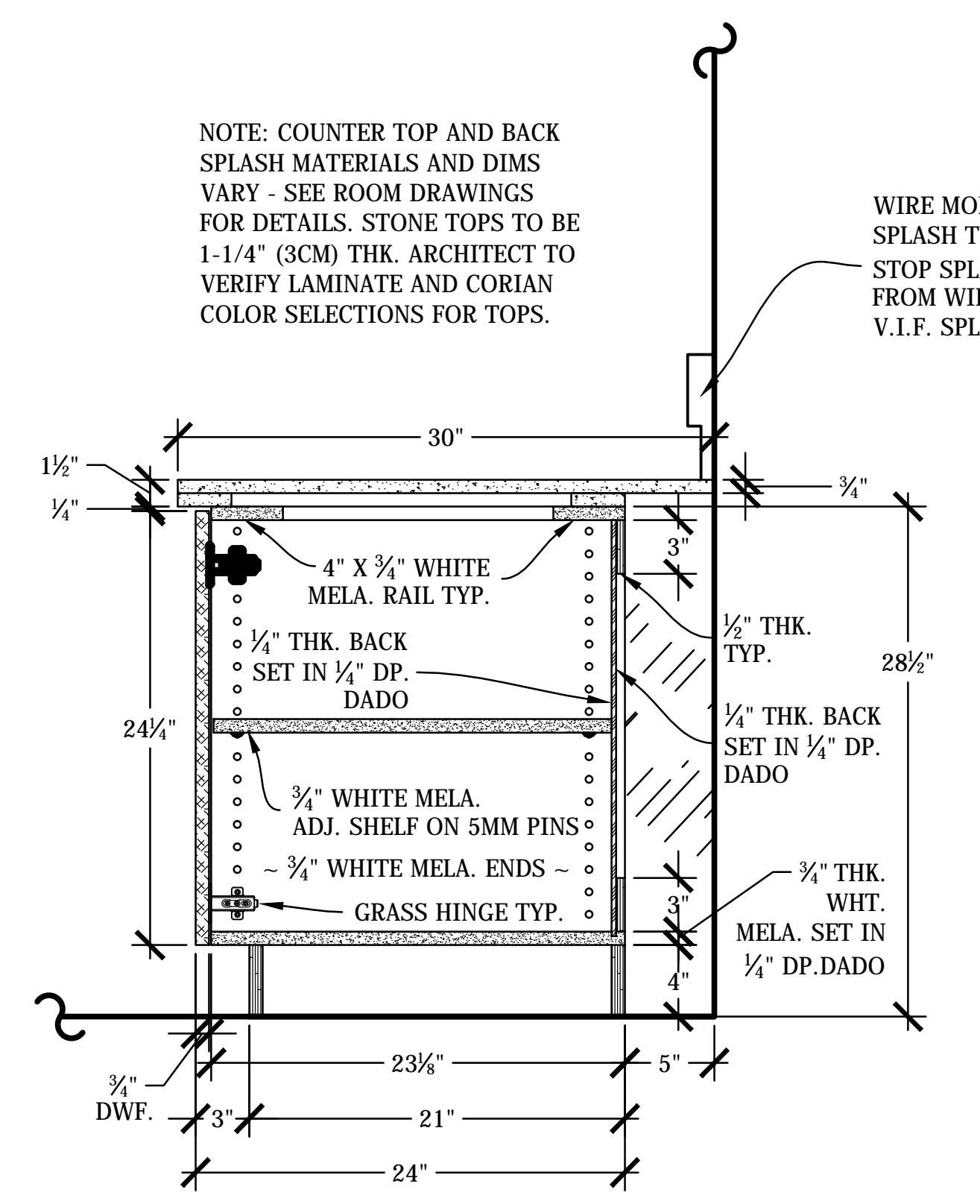
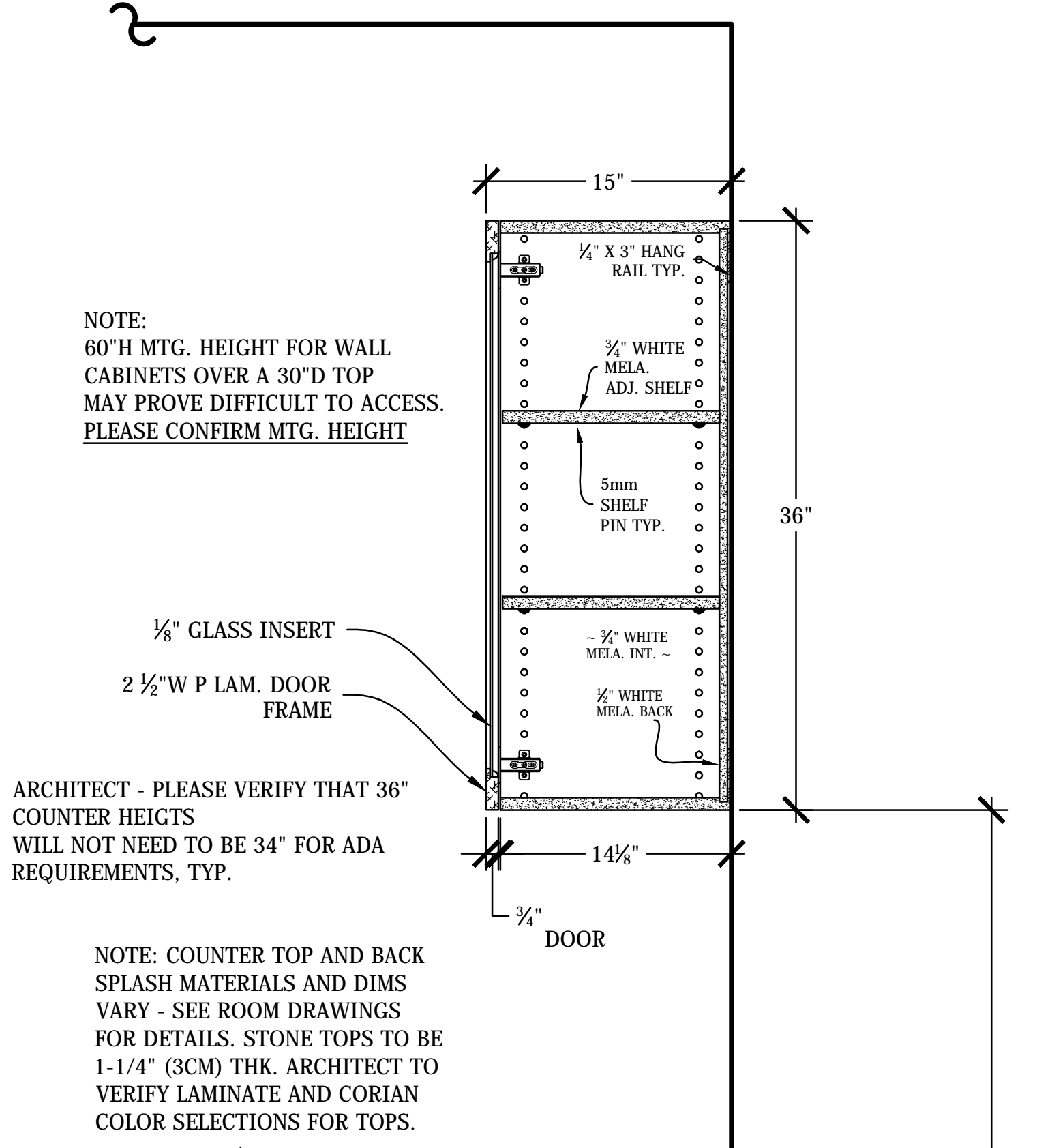


CABINET MATERIALS & SPECIFICATIONS:

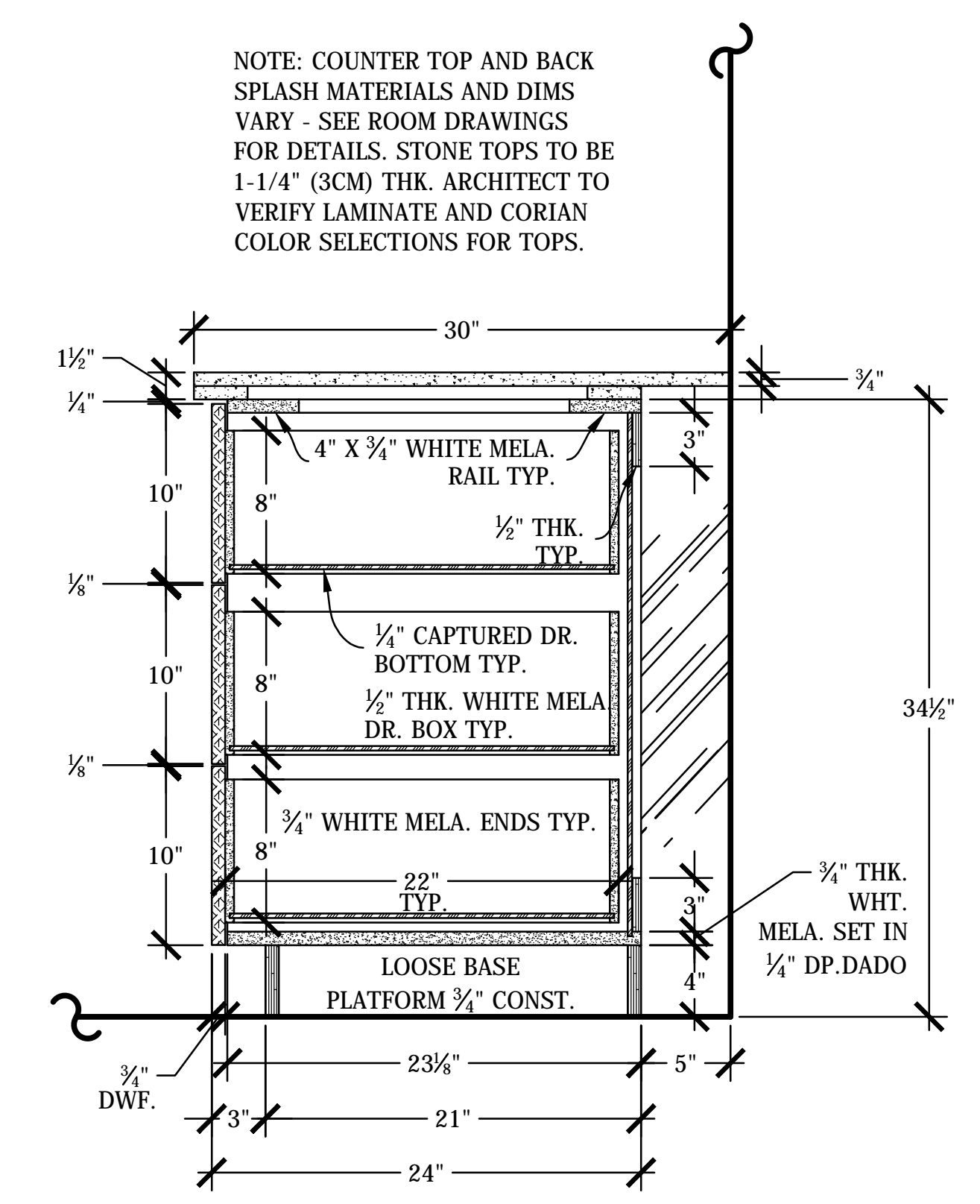
- BASE CABINETS -**
 ~ USE 3/4" WHITE CLAD AT SIDES, BOTTOM AND TOP TIE.
 USE .018 PVC IN COLOR TO MATCH EXTERIOR OF CABINET.
 ~ [1] - 3/4" WHITE CLAD 2 SIDED AT ADJUSTABLE / FIXED SHELF. SHELF TO BE ADJUSTABLE AT 32MM O.C. ON 5MM PINS. USE .018PVC IN COLOR TO MATCH EXTERIOR OF CABINET. TYP 1 SHELF AT EACH BASE CABINET U.N.O.
 ~ USE 1/2" HANG RAIL ACROSS TOP AND BOTTOM AT BACK.
 ~ USE 1/4" WHITE CLAD FOR BACKS SET IN DADO AT SIDES AND BOTTOM OF CABINET.
 ~ DOORS AND DRAWER FRONTS TO BE 1 1/16" PARTICLE BOARD WITH WHITE V-32 LINER LAMINATE INSIDE AND V-32 LAMINATE ON EXTERIOR PER FINISH SCHEDULE. USE .018 PVC TO MATCH LAMINATE ON ALL EDGES.
 ~ USE 100 LB CAPACITY, FULL EXTENSION, SIDE MOUNT DRAWER SLIDES.
 ~ USE GRASS 3 WAY ADJ., 110 DEG. EURO STYLE HINGES.
 ~ PULLS TO BE 4" BRUSHED CHROME WIRE.
 ~ 4" H LOOSE TOE BOX TO BE USED IN MULTIPLE CABINET SITUATIONS. OTHERWISE TOE KICK WILL BE INTEGRAL.
 ~ RETURN TOE KICK AT FINISHED ENDS TO BE HELD BACK 1" FROM FIN. END.
- WALL & TALL CABINETS -**
 ~ MATCH CONSTRUCTION METHODS ABOVE EXCEPT USE 1/2" WHITE CLAD BACKS AND 1/4" HANG RAIL TOP AND BOTTOM. TYP 2 SHELVES AT EACH WALL CABINET U.N.O. SHELF QUANTITY IN TALL CABINETS AS NOTED IN DETAILS.
- DRAWER BOXES -**
 ~ 5 PC. CONSTRUCTION.
 ~ DRAWERS SIDES TO BE 1/2" 2 SIDED CLAD WHITE CLAD.
 ~ USE 1/4" WHITE CLAD BOTTOMS. DADO INTO FRONT, BACK AND SIDES.



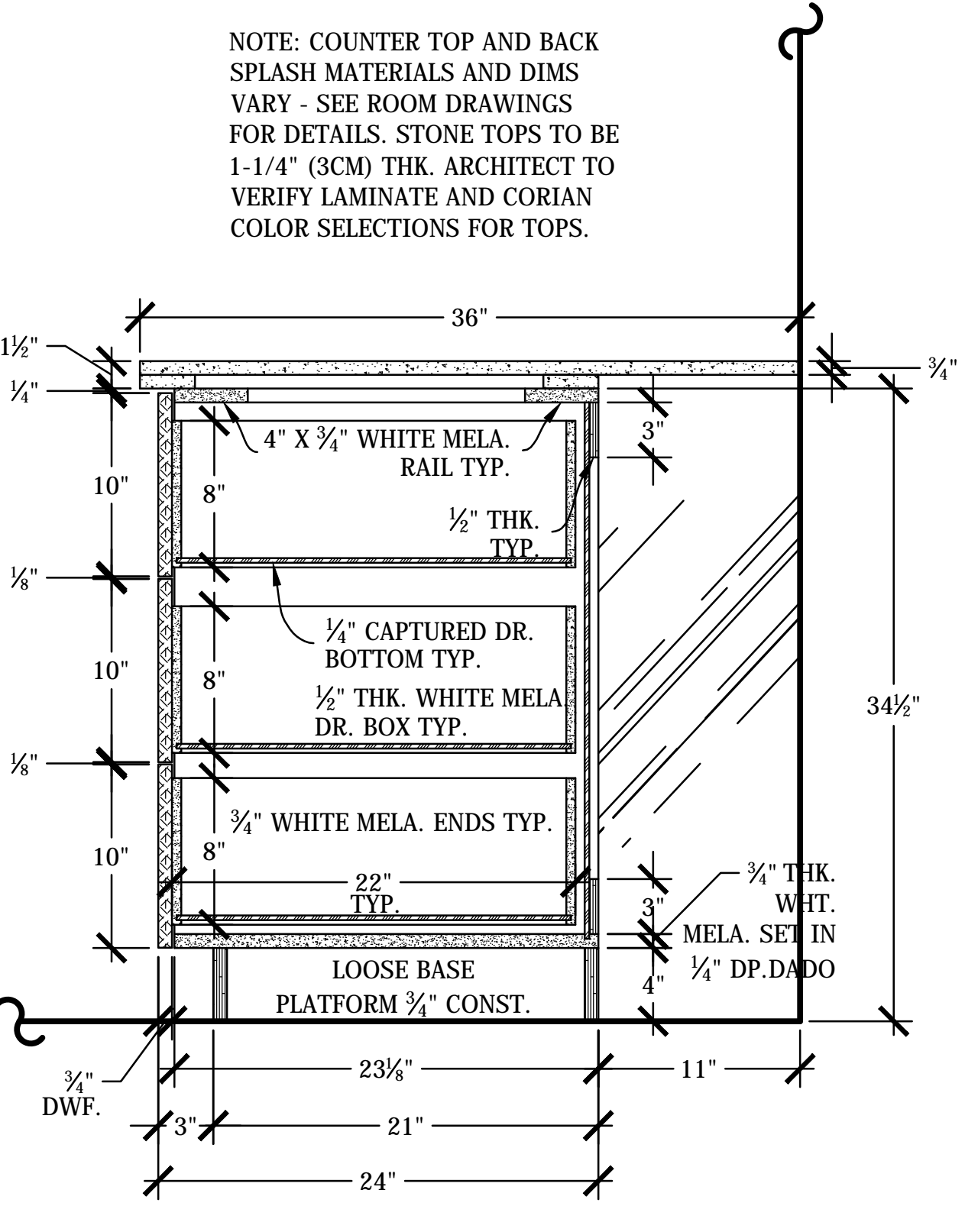
12 FULL HT. DOOR - DESK BASE SECTION
 SCALE: 1 1/2" = 1' - 0"



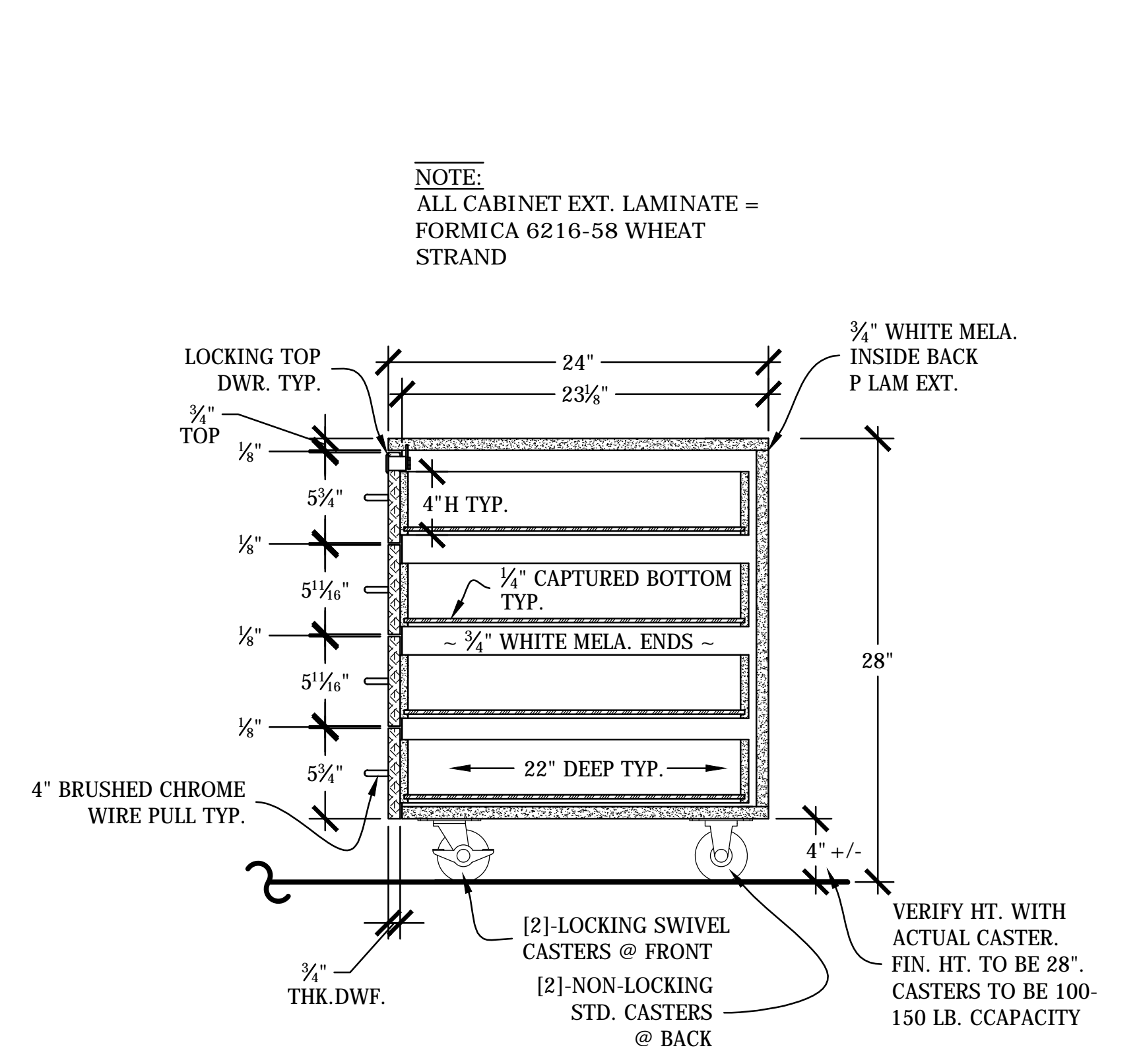
13 DOOR/DRAWER & 15"D WALL CAB. - SECTION
 SCALE: 1 1/2" = 1' - 0"



14 3 DRAWER STACK - BASE SECTION
 SCALE: 1 1/2" = 1' - 0"



15 3 DRAWER STACK - BASE SECTION
 SCALE: 1 1/2" = 1' - 0"



16 4 DRAWER - MOBILE BASE SECTION
 SCALE: 1 1/2" = 1' - 0"